

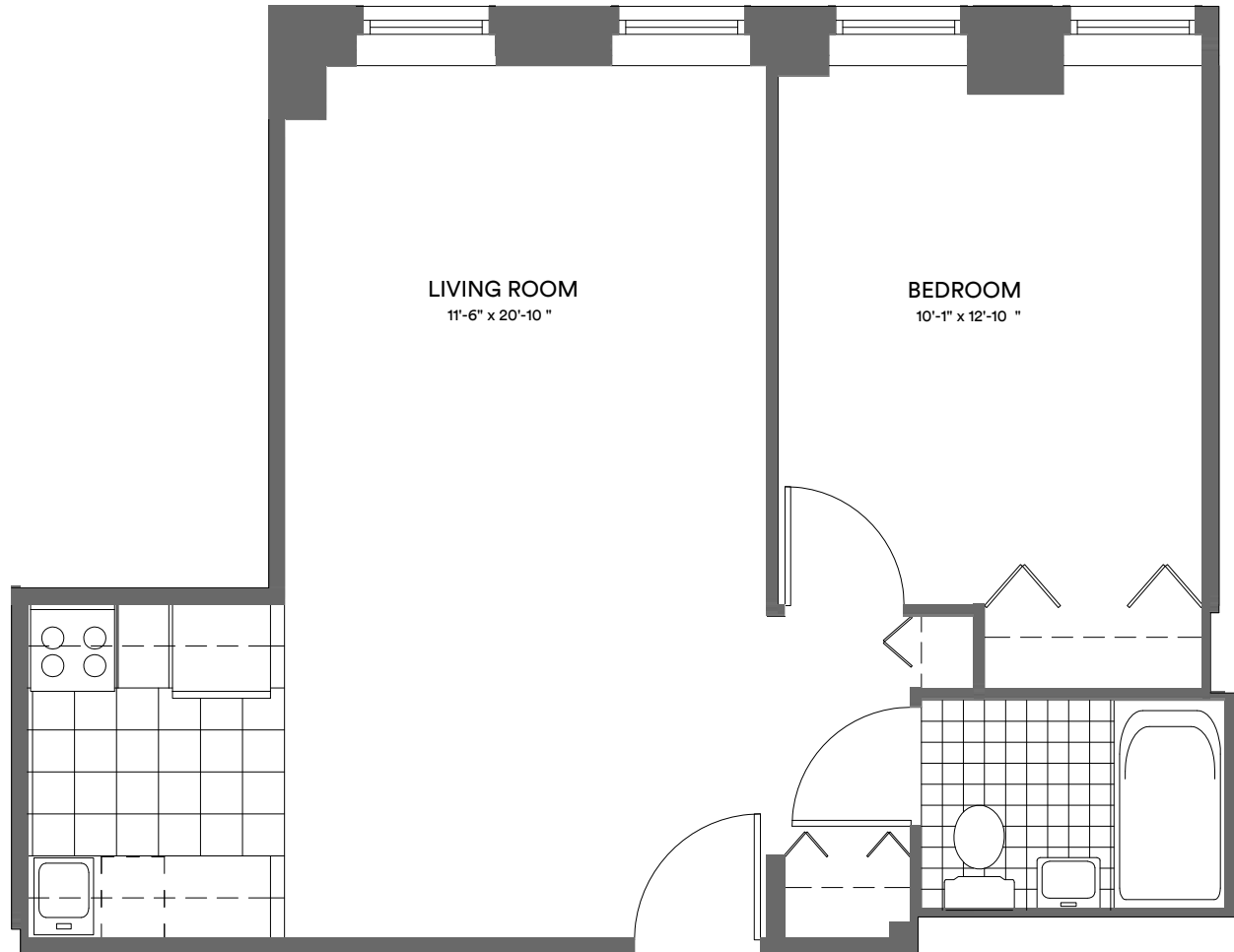
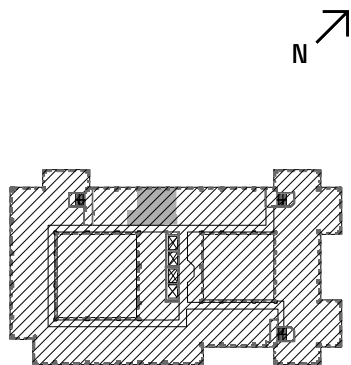
Y LINE

1 BR | 1 BA

4th - 11th Floor

SLOANE

CHELSEA NYC



All dimensions are approximate and are subject to construction variances.
Plans and dimensions may contain minor variations from floor to floor.

360 West 34th St | New York, NY, 10001 | (212) 402-3606

www.sloanenewyork.com | rent@sloanenewyork.com